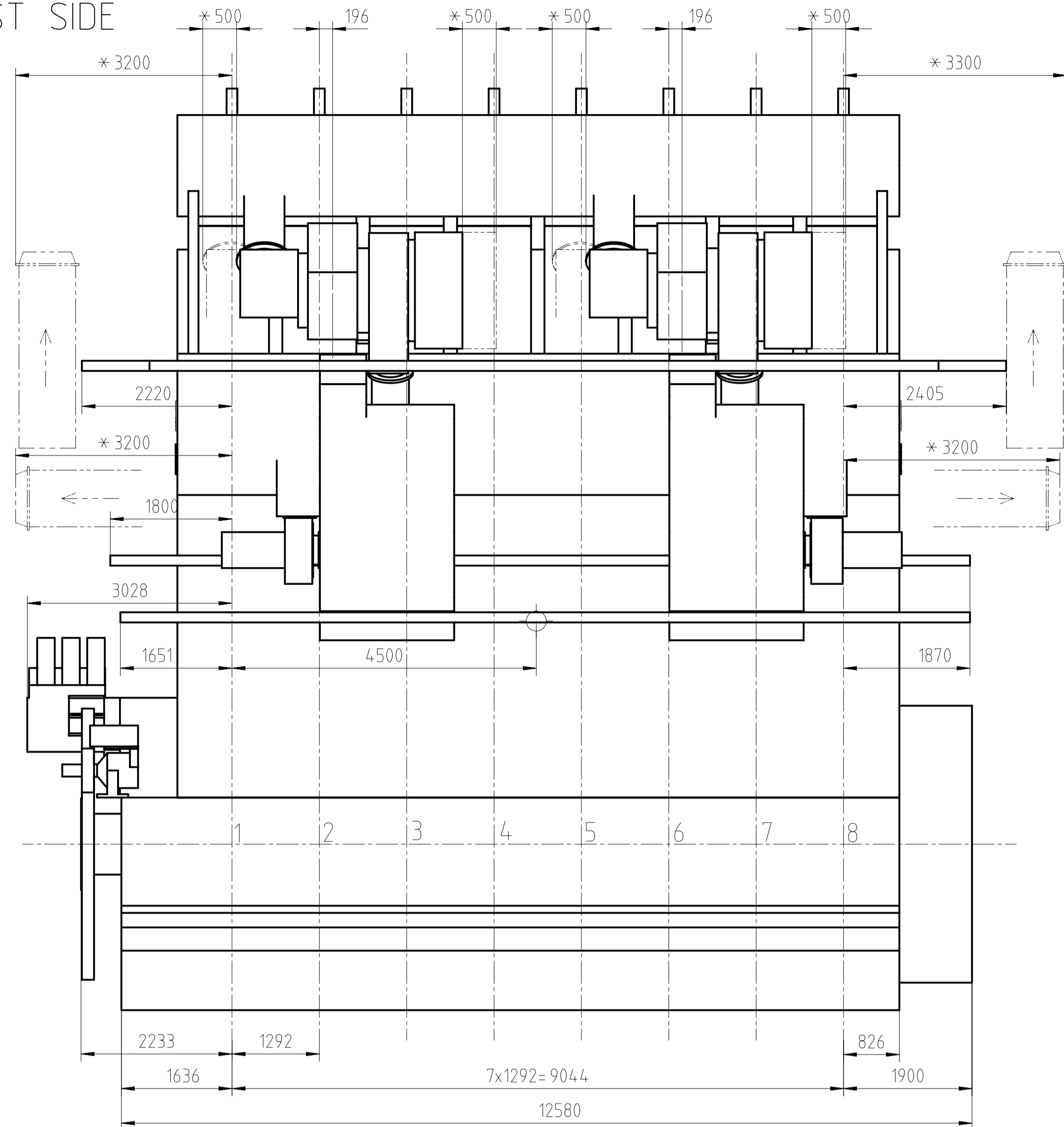
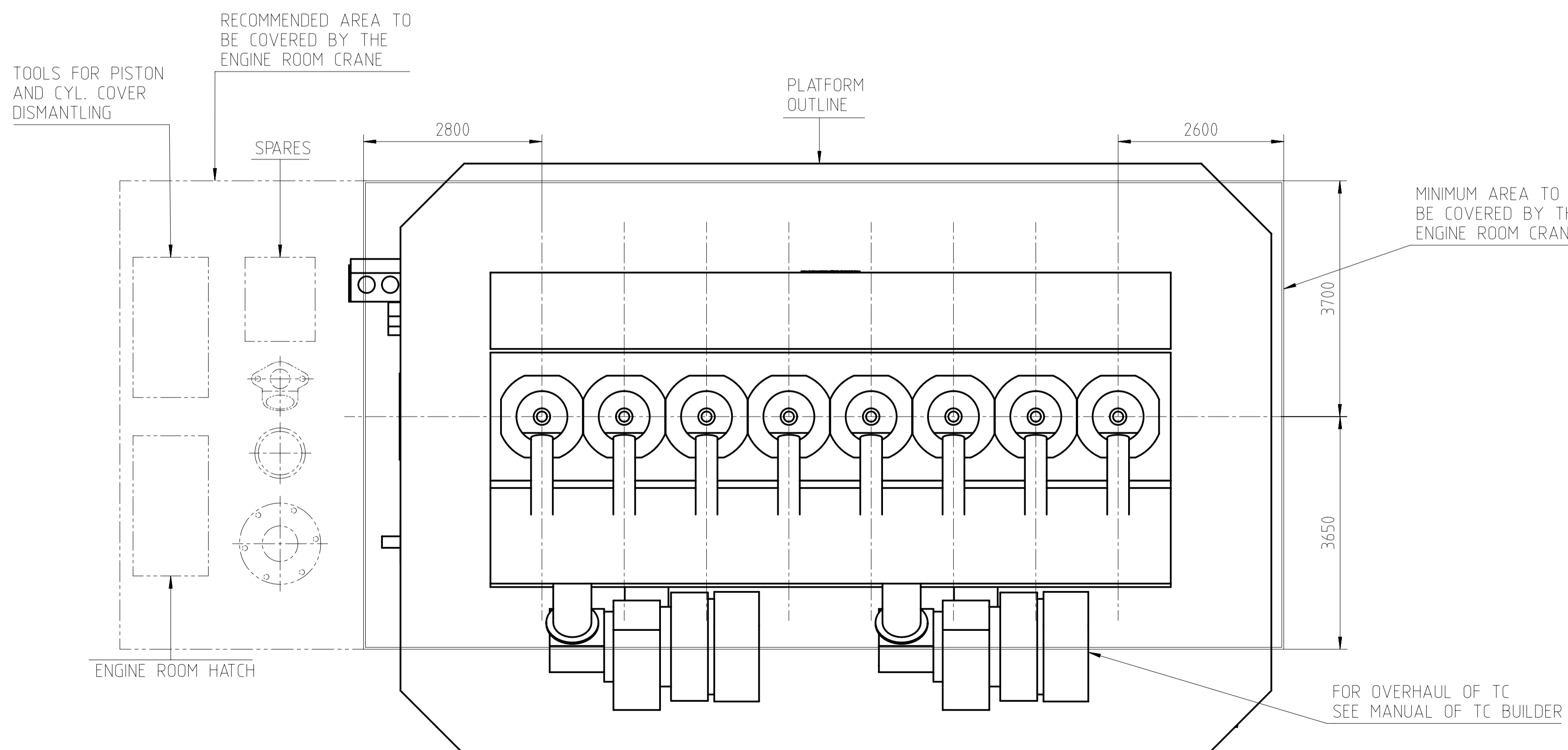
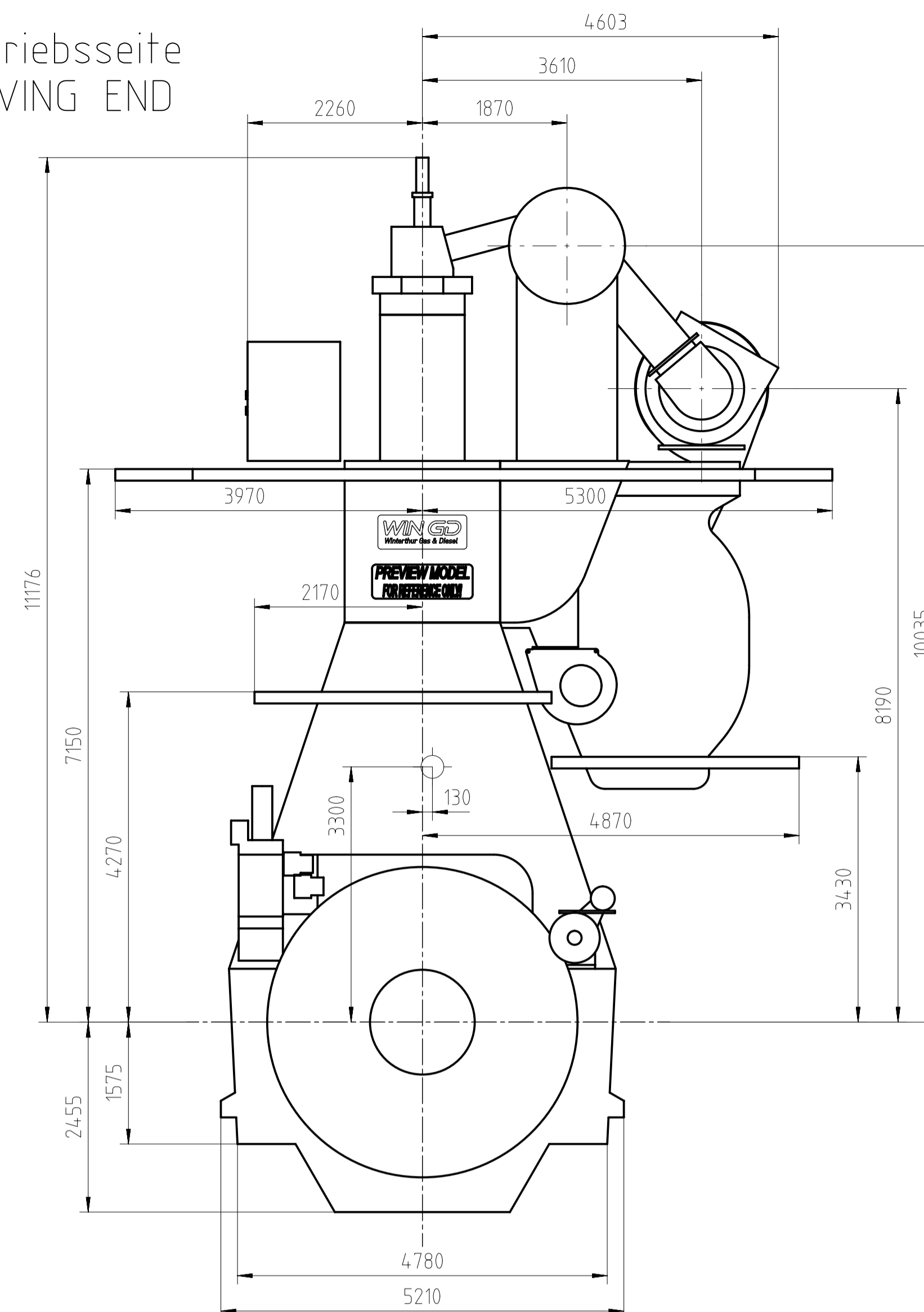


Download "DXF file"

Abgasseite EXHAUST SIDE



Antriebsseite DRIVING END



gezeichnet fuer Turbolader A275-L  
DRAWN FOR TURBOCHARGER

Gewicht ohne Wasser und Oel = 716t  
WEIGHT WITHOUT WATER AND OIL

\* Platz fuer Demontage  
SPACE FOR REMOVAL

ca. Schwerpunkt  
APPROX. CENTRE OF GRAVITY

TURBOCHARGER A175-L  
A275-L

NetWeight	0,001											
Quantity PER ENGINE	001	PAAD187129	DISMANTLING DIMENSIONS			DAAD064846				0,001		
SEQ. NO.		Material ID	Material Name			Dimension, Occ	Standard or Drawing	Basic Material	Material Standard	Weight GR/NET	Main Drw.	
Free space for. Lic.										XXXXX	H	
Material										Standard	ISO, JIS	
Modif.	EAAD094027	15.04.2021										
Number		Drawn date	Number	Drawn date	Number	Drawn date	Number	Drawn date	Number	Drawn date		



ENGINE OUTLINE VIEW  
Motoransichten

DIMENSIONS ONLY FOR REFERENCE  
THIS OUTLINE DRAWING CAN NOT BE USED FOR FINAL DESIGN.  
PLEASE TAKE CORRESPONDING DESIGN GROUP

SURFACE PROTECTION SEE GROUP 0344		Units mm kg NX		Basic Material		Net Weight	
TOLERANCING PRINCIPLE ISO8015		23.07.2020	jma101 Ma	Scale	1:50	Size	A1
GENERAL TOLERANCES ACCORDING TO ISO2768-mK		15.04.2021	sch101 Chen	Design Group	0812	Page	1/1
		15.04.2021	sth017 Thalmann	Drawing ID	DAAD133233	Material ID	

**Download  
"DXF file"**

Kolben mit Stange komplett  
und Stopfbuechse  
PISTON WITH ROD COMPLETE  
AND GLAND BOX

Gewicht ohne Hebwerkzeug:  
WEIGHT WITHOUT LIFTING TOOL:

X72DF = 2800 kg (B)  
X72-B = 2880 kg (B)

Zylindereinsatz und Wasserleitmantel  
CYLINDER LINER AND WATER  
GUIDE JACKET

Gewicht ohne Hebwerkzeug:  
WEIGHT WITHOUT LIFTING TOOL:

X72DF = 6400 kg (B)  
X72-B = 6250 kg (B)

Zylinderdeckel mit Auslassventil  
komplett und Wasserleitmantel  
CYLINDER COVER WITH EXHAUST  
VALVE COMPLETE AND WATER  
GUIDE JACKET

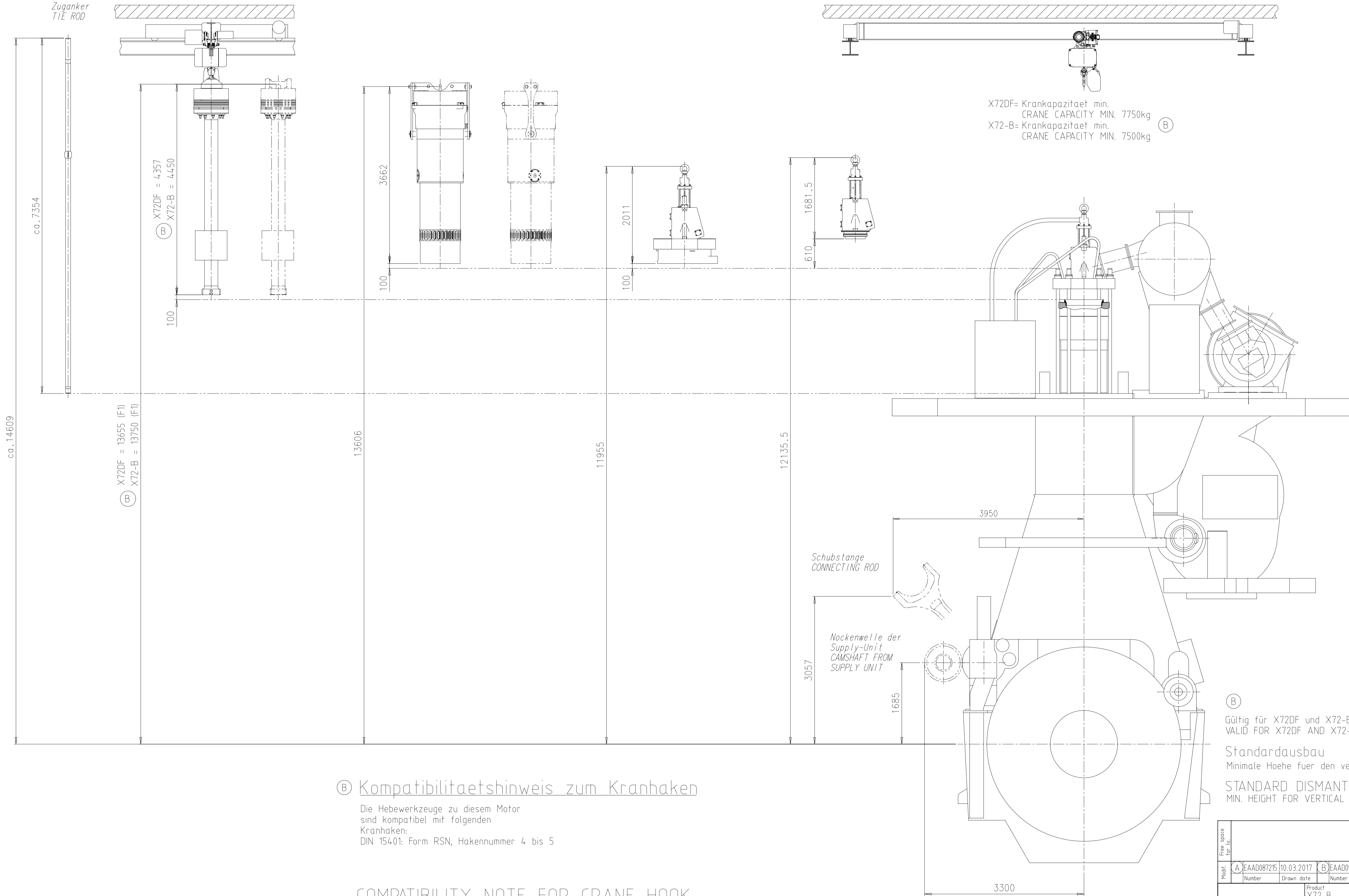
Gewicht ohne Hebwerkzeug:  
WEIGHT WITHOUT LIFTING TOOL:

X72DF = 4180 kg (B)  
X72-B = 4370 kg (B)

Auslassventil komplett  
EXHAUST VALVE COMPLETE

Gewicht ohne Hebwerkzeug:  
WEIGHT WITHOUT LIFTING TOOL:

1050 kg (B)



**(B) Kompatibilitaetshinweis zum Kranhaken**

Die Hebwerkzeuge zu diesem Motor  
sind kompatibel mit folgenden  
Kranhaken:  
DIN 15401: Form RSN, Hakennummer 4 bis 5

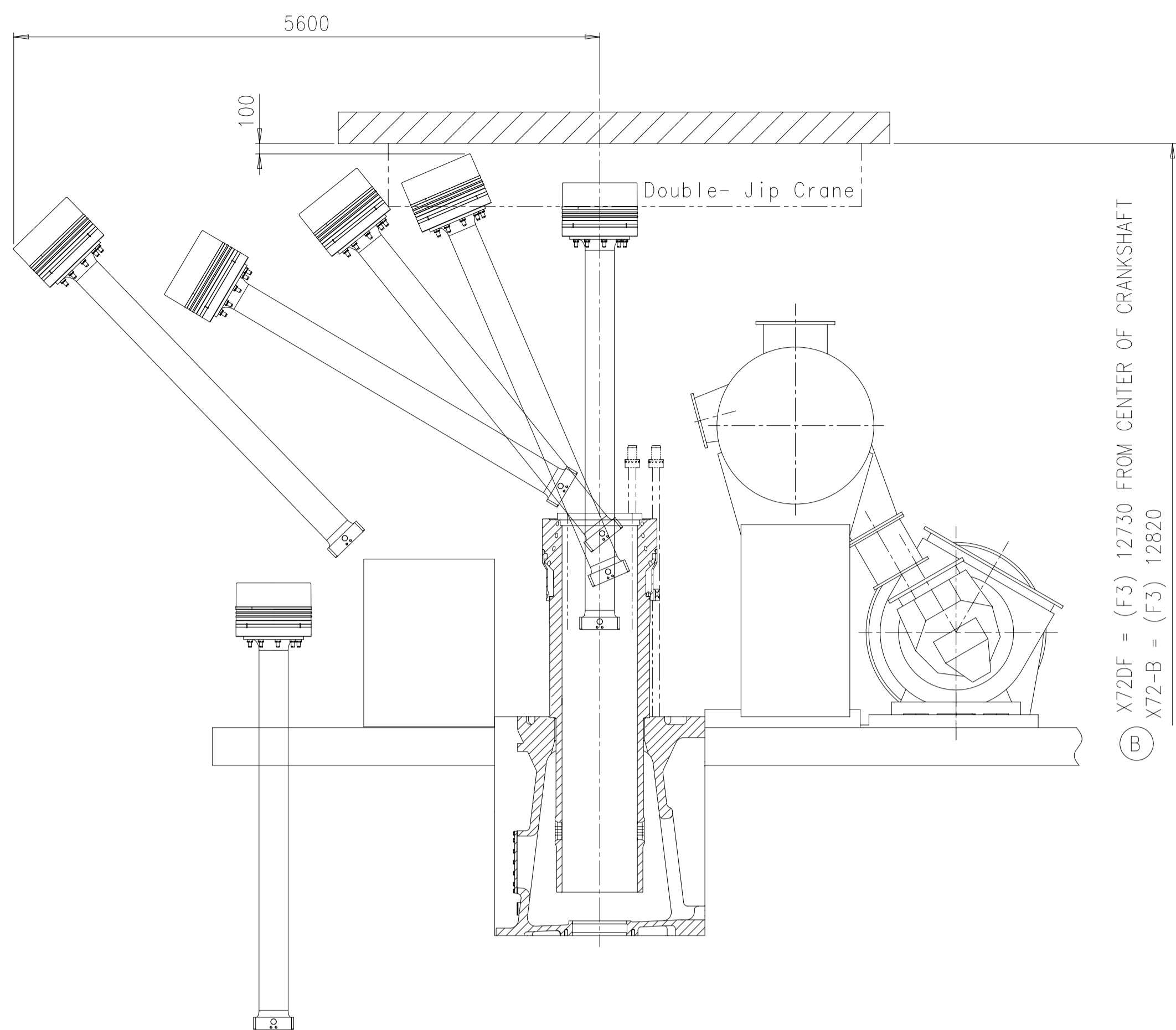
**COMPATIBILITY NOTE FOR CRANE HOOK**

THE LIFTING TOOLS FOR THIS ENGINE  
ARE COMPATIBLE WITH FOLLOWING  
CRANE HOOK:  
DIN 15401: SHAPE RSN, HOOK NUMBER 4 TO 5

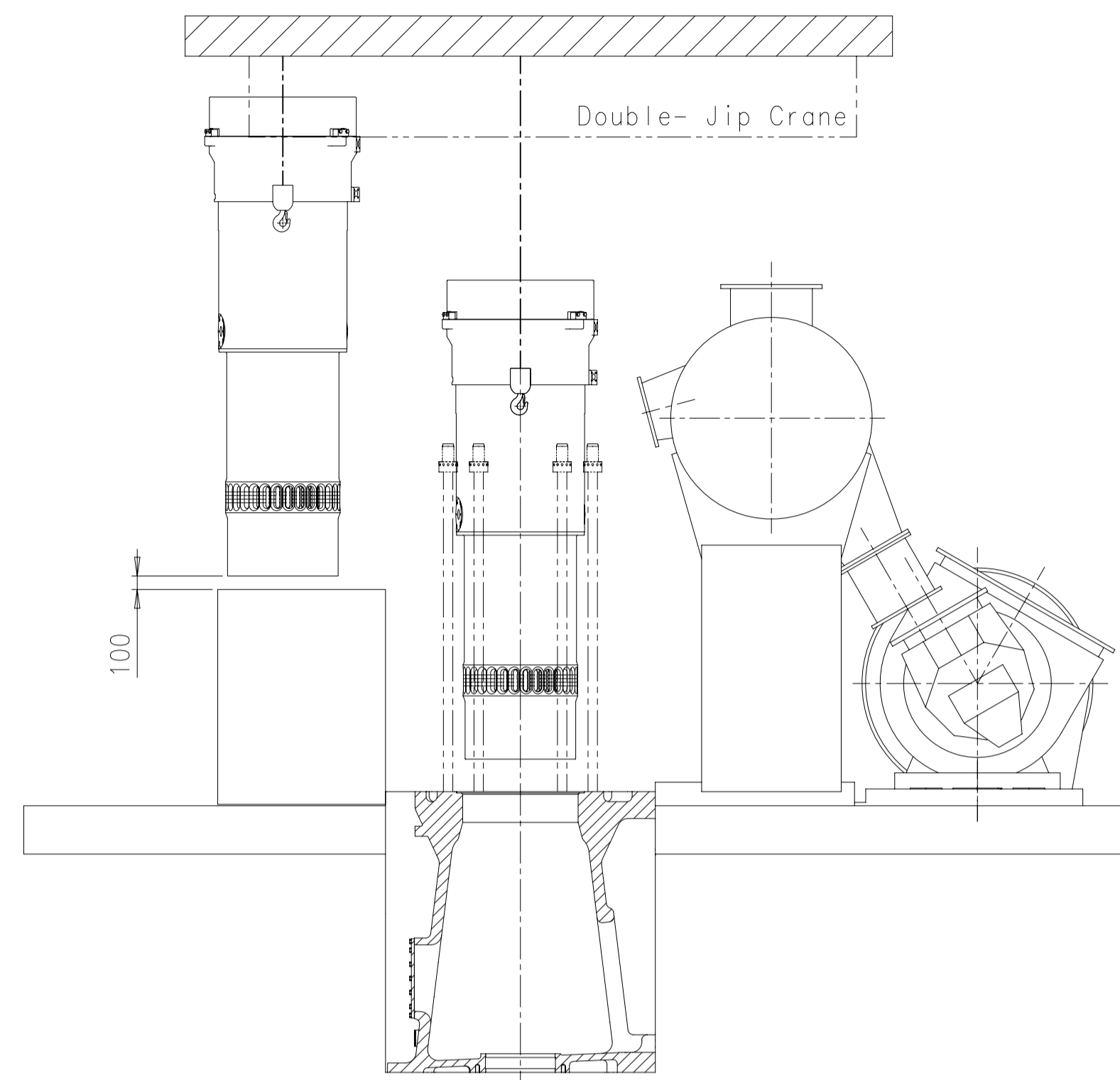
(B) Gueltig fuer X72DF und X72-B  
VALID FOR X72DF AND X72-B

Standardausbau  
Minimale Hoehe fuer den vertikalen Ausbau: F1  
STANDARD DISMANTLING  
MIN. HEIGHT FOR VERTICAL REMOVAL: F1

Free space for file	O-Code XXXXX		Main Drw.
Standard ISO, JIS			
Modif. A	EAAD087215	10.03.2017	B
EAAD091495	15.04.2020		
Number	Drawn date	Number	Drawn date
Product X72-B X72DF	DISMANTLING DIMENSIONS		
Ausbaumasse			
Units	mm kg	NX	Basic Material
Net Weight	0,001		
SURFACE PROTECTION SEE GROUP 0344	Made	12.12.2016	ajo101 A.Jones
TOLERANCING PRINCIPLE ISO8015	Scale	1:4.0	Size
Design Group	03.11.2015	ast044 Stephan	Page 1/2
Appd	03.11.2015	bha009 Haag	Material ID
GENERAL TOLERANCES ACCORDING TO ISO2768-mK	Design Group	0812	PAAD187129
	Drawing ID	DAAD064846	Rev. B



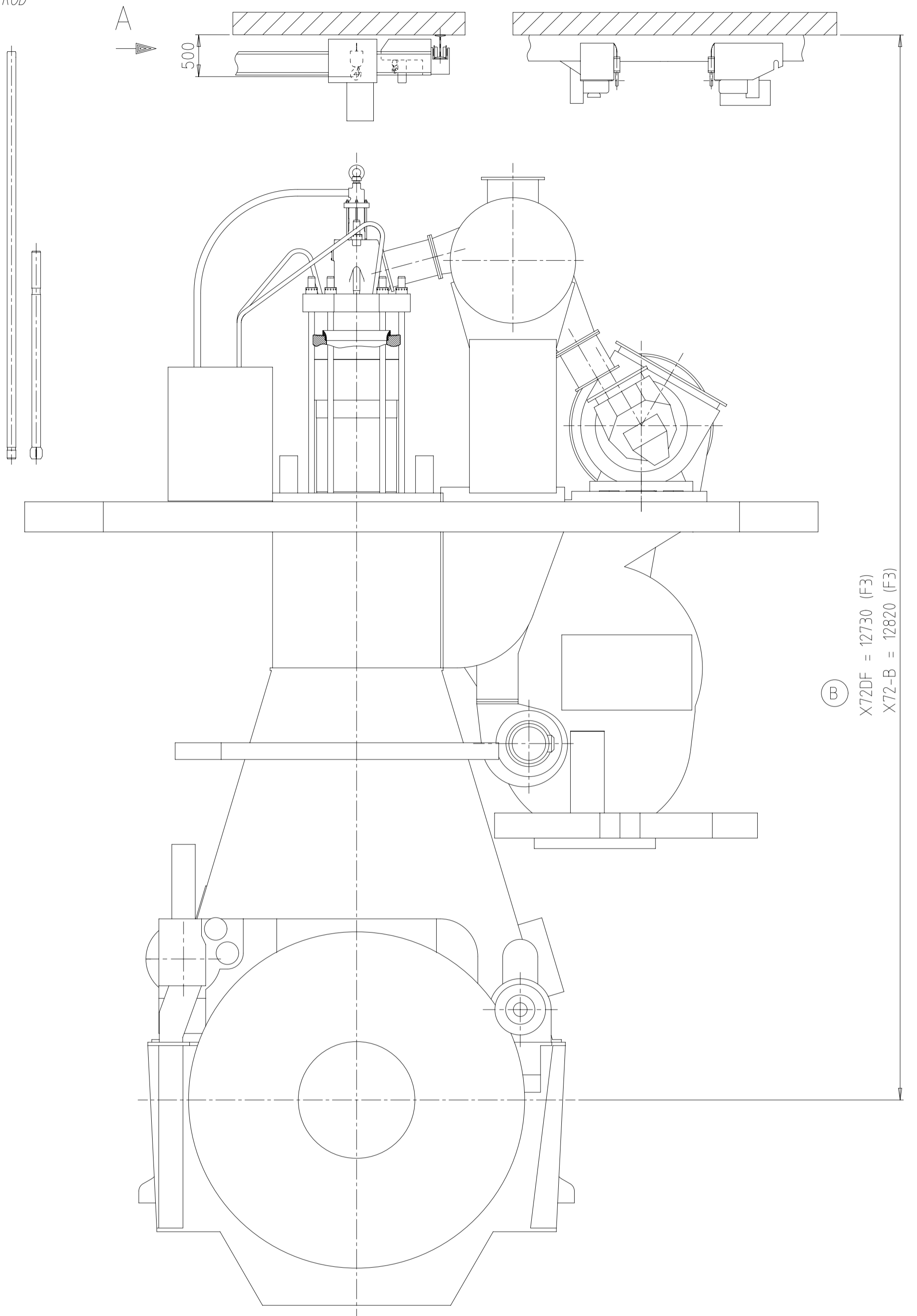
1. Disassembly of cylinder cover
2. Disassemble two cylinder cover bolts on fuel side
3. Pull out the piston with standard piston disassembly tool, then attach tool for further lifting
4. Proceed with tilted piston removal
5. Place piston on support for overhaul



6. Screw in the suspension points on the cylinder liner
7. Attach crane hooks for lifting
8. Pull out the liner until over top of rail unit
9. Move liner over rail unit and put in designated place for overhaul

Twin Tie Rod for replacement

Zuganker  
TIE ROD



ⓑ X72DF = 12730 (F3)  
X72-B = 12820 (F3)

### ⓑ Voraussetzungen fuer diese Ausbaumart

- zweiteilige Zylinderdeckel-Dehnbolzen auf der Brennstoffseite
- zweiteilige Zuganker im Reparaturfall
- Spezialkran (DOUBLE-JIB)
- spezielle Hebewerkzeuge fuer den Zylindereinsatz und den Kolben

### REQUIREMENTS FOR THIS DISMANTLING METHOD

- TWO-PIECE ELASTIC STUDS FOR CYLINDER COVER ON FUEL SIDE
- TWO-PART TIE ROD IN CASE OF REPAIR
- SPECIAL CRANE (DOUBLE-JIB)
- SPECIAL LIFTING TOOLS FOR CYLINDER LINER AND PISTON

### ⓑ Standardausbau mit Double-Jib Kran

Minimale Hoehe fuer den gekippten Ausbau mit dem Double-Jib Kran: F3  
Die Distanz von der obersten Hakenposition bis zur Decke varriert je nach der ausgewaehlten Kranausfuehrung

Für gekippten Ausbau mit Double-Jib E/R Kran von Fuchs Foerdertechnik AG

### STANDARD DISMANTLING WITH DOUBLE-JIB CRANE

MIN. HEIGHT FOR TILTED REMOVAL WITH DOUBLE-JIB CRANE: F3  
DISTANCE BETWEEN TOP POSITION OF HOOK AND ENGINE ROOM CEILING VARIES DEPENDING ON CRANE TYPE.

FOR TILTED REMOVAL WITH DOUBLE JIB E/R CRANE BY FUCHS FOERDERTECHNIK AG

Free space for file	0-Code XXXXXX		Main Drw.	
Modif.	A EAAD087215	10.03.2017	B EAAD091495	15.04.2020
Number	Drawn date	Number	Drawn date	Number
Product	X72-B X72DF		DISMANTLING DIMENSIONS	
WINGD Winterthur Gas & Diesel		Ausbaumasse		
Units	mm kg	NX	Basic Material	Net Weight 0,001
Make	12.12.2016	ajo101 A.Jones	Scale 1:4.0	Size Page 2/2
Chkd	03.11.2015	ast044 Stephan	Design Group	Material PAAD187129
Appd	03.11.2015	bha009 Haag	0812	Drawing ID DAAD064846
SURFACE PROTECTION SEE GROUP 0344		GENERAL TOLERANCES ACCORDING TO ISO2768-mK		Rev. B

## WinGD-8X72DF\_Engine-Outline-View

### TRACK CHANGES

DATE	SUBJECT	DESCRIPTION
2019-12-05	DRAWING SET	First web upload
2020-07-20	DAAD064846	Revised Dismantling Dimensions Drawing has been updated.
2021-05-26	PAAD361351	Engine outline view for Turbocharger type 1xA175-L/A275-L have been replaced.

### **DISCLAIMER**

© Copyright by Winterthur Gas & Diesel Ltd.

All rights reserved. No part of this document may be reproduced or copied in any form or by any means (electronic, mechanical, graphic, photocopying, recording, taping or other information retrieval systems) without the prior written permission of the copyright owner.

THIS PUBLICATION IS DESIGNED TO PROVIDE AN ACCURATE AND AUTHORITATIVE INFORMATION WITH REGARD TO THE SUBJECT-MATTER COVERED AS WAS AVAILABLE AT THE TIME OF PRINTING. HOWEVER, THE PUBLICATION DEALS WITH COMPLICATED TECHNICAL MATTERS SUITED ONLY FOR SPECIALISTS IN THE AREA, AND THE DESIGN OF THE SUBJECT-PRODUCTS IS SUBJECT TO REGULAR IMPROVEMENTS, MODIFICATIONS AND CHANGES. CONSEQUENTLY, THE PUBLISHER AND COPYRIGHT OWNER OF THIS PUBLICATION CAN NOT ACCEPT ANY RESPONSIBILITY OR LIABILITY FOR ANY EVENTUAL ERRORS OR OMISSIONS IN THIS BOOKLET OR FOR DISCREPANCIES ARISING FROM THE FEATURES OF ANY ACTUAL ITEM IN THE RESPECTIVE PRODUCT BEING DIFFERENT FROM THOSE SHOWN IN THIS PUBLICATION. THE PUBLISHER AND COPYRIGHT OWNER SHALL UNDER NO CIRCUMSTANCES BE HELD LIABLE FOR ANY FINANCIAL CONSEQUENTIAL DAMAGES OR OTHER LOSS, OR ANY OTHER DAMAGE OR INJURY, SUFFERED BY ANY PARTY MAKING USE OF THIS PUBLICATION OR THE INFORMATION CONTAINED HEREIN.