

Available executions

Execution No.	Material ID	Cylinder No.
1	PTAA009991	5-8

SURFACE PROTECTION SEE GROUP 0344
 TOLERANCING PRINCIPLE ISO8015
 GENERAL TOLERANCES ACCORDING TO ISO2768-mK

NOTE

The above executions can be configured using the Engine Configurator. Detailed guidance for the executions is provided within the Marine Installation Manual (MIM). If a specific execution of interest is not shown in the above table, then it may still be under development or not available. For further information or in case of a project-specific request, WinGD must be contacted directly.

This publication is designed to provide accurate and authoritative information with regard to the subject-matter covered as it was available at the time of printing. However, the publication deals with complicated technical matters suited only for specialists in the area, and the design of the subject-products is subject to regular improvements, modifications and changes. Consequently, the publisher and copyright owner of this publication cannot accept any responsibility or liability for any eventual errors or omissions in this document or for discrepancies arising from the features of any actual item in the respective product being different from those shown in this publication. The publisher and copyright owner shall under no circumstances be held liable for any financial consequential damages or other loss, or any other damage or injury, suffered by any party making use of this publication or the information contained herein.

Prod.	X72DF X72DF-1.1	X72DF-1.2 X72DF-2.1	X72DF-2.2								
Change History	-	sde101	dst009	27.10.2021	CNAA000871	new Design				-	-
	Rev.	Creator	Approver	Approval Date	Change ID	Change Synopsis	Approved	Activity Code	E	C	



AIR SUPPLY SYSTEM
 MIDS master drawing

separate BOM available

Dimension

Scale	-		NX	Units [mm] [kg]	Basic Material	Net Weight	0.001		
Copyright Winterthur Gas & Diesel Ltd. All rights reserved. By taking possession of the drawing the recipient recognizes and honours these rights. Neither the whole nor any part of this drawing may be used in any way for construction, fabrication, marketing or any other purpose nor copied in any way nor made accessible to third parties without the previous written consent of Winterthur Gas & Diesel Ltd.				Main Design	Design Group	9725	Q-Code XXXXX	Standard	WDS
Qty per	A4	Item ID	PTAA014896		Drawing Page/s	1/1			

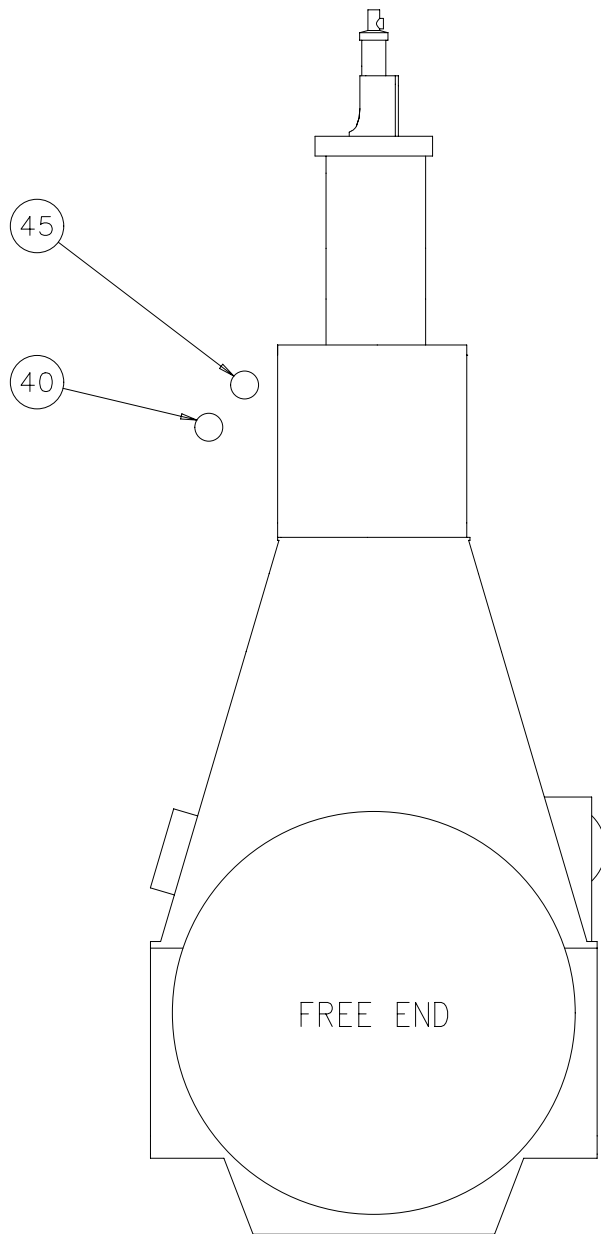
SEQ NO	QTY	Item ID	Item Name	Dimension	Standard-ID	Basic Material	Net Weight
1	1	PTAA011107	AIR SUPPLY SYSTEM				0

--	--	--	--	--	--	--	--

Prod.	5,6,7,8 X72DF 5,6,7,8 X72DF-1.1		5,6 X72DF-1.2 5,6,7 X72DF-2.1		5,6 X72DF-2.2		
Change History							
	-	sde101	dst 009	27.10.2021	CNAA000871	Main Design/Drawing Introduced	- -
	Rev.	Creator	Approver	Approval Date	Change ID	Change Synopsis	Approved Activity Code E C

	AIR SUPPLY SYSTEM
--	-------------------

Bill Of Material		Dimension							
Copyright Winterthur Gas & Diesel Ltd. All rights reserved. By taking possession of the document the recipient recognizes and honours these rights. Neither the whole nor any part of this document may be used in any way for construction, fabrication, marketing or any other purpose nor copied in any way nor made accessible to third parties without the previous written consent of Winterthur Gas & Diesel Ltd.		Units	[m] [kg]	Basic Material			Net Weight	0	
		Main Design	Yes	Design Group	9725	Q-Code	XXXXX	Standard	WDS
		Qty per	Engine	A4	Item ID	PTAA009991		BOM Page/s	01/01

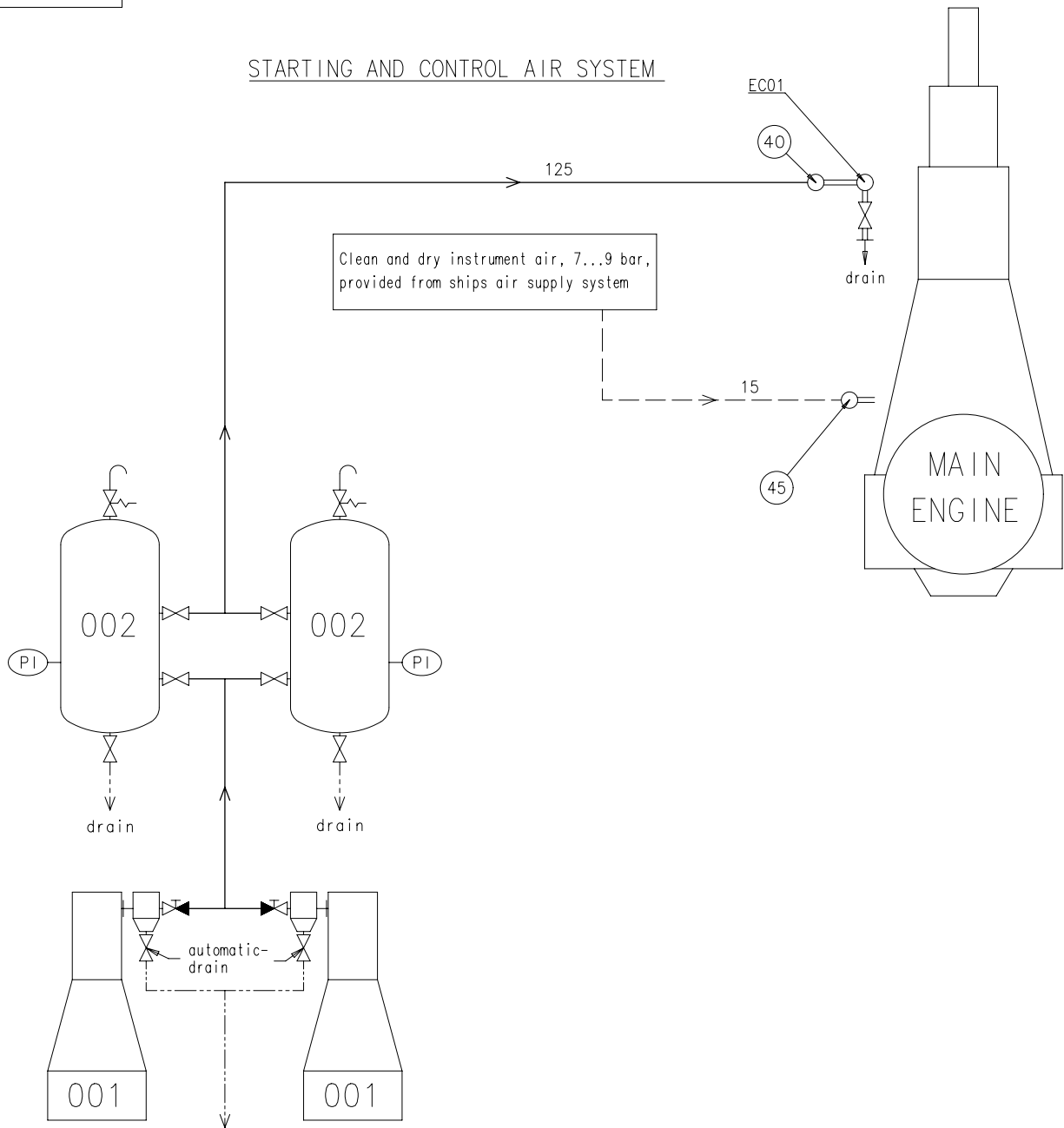


Specifications which must be met:	
40	INLET - Starting air Starting air pressure: 25 or 30 bar (according to design) Capacity of starting air receivers: according to GTD
45	INLET - Control air Control air pressure: 7-9 bar Control air quality has to be comply with the compressed air purity class: 5-4-3 according to ISO 8573-1 (2010-04-15)

Prod.	X72DF X72DF-1.1	X72DF-1.2 X72DF-2.1	X72DF-2.2									
Change History												
	-	sde101	dst009	27.10.2021	CNAA000871	new Design		-	-			
	Rev.	Creator	Approver	Approval Date	Change ID	Change Synopsis	Approved	Activity Code	E C			
				AIR SUPPLY SYSTEM								
				Dimension								
Scale	-		NX	Units [mm] [kg]	Basic Material			Net Weight	0.001			
SURFACE PROTECTION SEE GROUP 0344 TOLERANCING PRINCIPLE ISO8015 GENERAL TOLERANCES ACCORDING TO ISO2768-mK				<small>Copyright Winterthur Gas & Diesel Ltd. All rights reserved. By taking possession of the drawing the recipient recognizes and honours these rights. Neither the whole nor any part of this drawing may be used in any way for construction, fabrication, marketing or any other purpose nor copied in any way nor made accessible to third parties without the previous written consent of Winterthur Gas & Diesel Ltd.</small>		Main Design	Design Group	9725	Q-Code	XXXXX	Standard	WDS
Qty per	A3		Item ID	PTAA011107			Drawing Page/s	1/2				

SYSTEM PROPOSAL

STARTING AND CONTROL AIR SYSTEM



Pos	System Components *1)
001	Starting air compressor 25/30 bar (capacity according to GTD)
002	Starting air receiver 25/30 bar (capacity according to GTD)
Pos	Engine Connections *2)
④0	INLET - Starting air
④5	INLET - Control air (for control system and air spring)
Pos	Engine Components *3)
EC01	Distribution pipe with automatic starting air shut-off valve
Remarks:	
- Drain plugs and drain cocks to be installed where necessary.	
- Pipe diameters for starting air compressors and auxiliary equipment according to suppliers recommendations.	
*1) Refer to the "Pipe Connection Plan" for the execution and location of the engine pipe connections.	
*2) To be delivered by external supplier and to be installed by the shipyard.	
*3) To be delivered by the engine builder. i.e. already equipped on engine side.	
<p>— Starting air feed pipes</p> <p>- - - Control air pipes</p> <p>— Ancillary equipment pipes</p> <p>- - - - - Drain pipes</p> <p>== Pipes on engine</p> <p>○ Pipe connections</p>	

SURFACE PROTECTION SEE GROUP 0344		TOLERANCING PRINCIPLE ISO8015		GENERAL TOLERANCES ACCORDING TO ISO2768-mK		Change Rev. Creator - sde101 dst009 27.10.2021 CNA000871 new Design		Approved Activity Code E C	
Copyright Wipacur Gas & Diesel Ltd. All rights reserved. By using products of this drawing the recipient accepts the liability stated herein. Neither the whole nor any part of this drawing may be used in any way for construction, fabrication, installation or any other purpose not agreed in the written order made according to this parties without the previous written consent of Wipacur Gas & Diesel Ltd.		[mm]	[kg]	-	A2	Item ID	PTAA011107		Drawing Page/s 2 / 2

WinGD-X72DF/1.1/1.2/2.1/2.2 - AIR SUPPLY SYSTEM (DG9725)

TRACK CHANGES

DATE	SUBJECT	DESCRIPTION
2020-11-09	DRAWING SET	First web upload of the new DF specific drawing set

DISCLAIMER

© Copyright by Winterthur Gas & Diesel Ltd.

All rights reserved. No part of this document may be reproduced or copied in any form or by any means (electronic, mechanical, graphic, photocopying, recording, taping or other information retrieval systems) without the prior written permission of the copyright owner.

THIS PUBLICATION IS DESIGNED TO PROVIDE AN ACCURATE AND AUTHORITATIVE INFORMATION WITH REGARD TO THE SUBJECT-MATTER COVERED AS WAS AVAILABLE AT THE TIME OF PRINTING. HOWEVER, THE PUBLICATION DEALS WITH COMPLICATED TECHNICAL MATTERS SUITED ONLY FOR SPECIALISTS IN THE AREA, AND THE DESIGN OF THE SUBJECT-PRODUCTS IS SUBJECT TO REGULAR IMPROVEMENTS, MODIFICATIONS AND CHANGES. CONSEQUENTLY, THE PUBLISHER AND COPYRIGHT OWNER OF THIS PUBLICATION CAN NOT ACCEPT ANY RESPONSIBILITY OR LIABILITY FOR ANY EVENTUAL ERRORS OR OMISSIONS IN THIS BOOKLET OR FOR DISCREPANCIES ARISING FROM THE FEATURES OF ANY ACTUAL ITEM IN THE RESPECTIVE PRODUCT BEING DIFFERENT FROM THOSE SHOWN IN THIS PUBLICATION. THE PUBLISHER AND COPYRIGHT OWNER SHALL UNDER NO CIRCUMSTANCES BE HELD LIABLE FOR ANY FINANCIAL CONSEQUENTIAL DAMAGES OR OTHER LOSS, OR ANY OTHER DAMAGE OR INJURY, SUFFERED BY ANY PARTY MAKING USE OF THIS PUBLICATION OR THE INFORMATION CONTAINED HEREIN.