

X52DF-S1.0

IMO Tier III in gas mode

| | |
|---------------------------------------|-----------|
| Cylinder bore: | 520mm |
| Piston stroke: | 2045mm |
| Speed: | 85-120rpm |
| Mean effective pressure at R1: | 17.3bar |
| Stroke/bore ratio: | 3.93 |

Rated power, principal dimensions and weights

| Cyl. | Output in kW at | | | | Length A mm | Length A * mm | Dry mass tonnes |
|------|-----------------|-------|-------|------|----------------|------------------|--------------------|
| | 120rpm | | 85rpm | | | | |
| | R1 | R2 | R3 | R4 | | | |
| 5 | 7500 | 6250 | 5325 | 4425 | 5485 | 6565 | 190 |
| 6 | 9000 | 7500 | 6390 | 5310 | 6345 | 7415 | 215 |
| 7 | 10500 | 8750 | 7455 | 6195 | 7205 | | 245 |
| 8 | 12000 | 10000 | 8520 | 7080 | 8065 | | 275 |

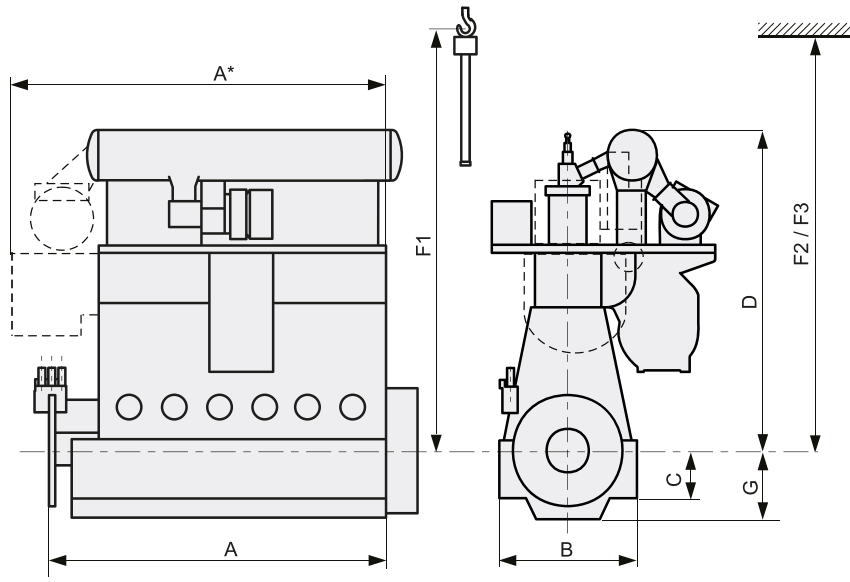
| Dimensions mm | B | C | D |
|------------------|------|------|------|
| | 3100 | 1185 | 7725 |
| | F1 | F2 | F3 |
| 9340 | 9340 | 8800 | 1675 |

Brake specific fuel consumption in gas mode

| Rating point | | R1 | R2 | R3 | R4 |
|-------------------|--------|-------|-------|-------|-------|
| BSEC (energy) | kJ/kWh | 7201 | 6962 | 7299 | 7064 |
| BSGC (gas) | g/kWh | 142.7 | 137.7 | 144.7 | 139.7 |
| BSPC (pilot fuel) | g/kWh | 1.5 | 1.8 | 1.5 | 1.8 |

Brake specific fuel consumption in diesel mode

| Rating point | | R1 | R2 | R3 | R4 |
|-----------------------|-------|-------|-------|-------|-------|
| BSFC (diesel Tier II) | g/kWh | 184.1 | 182.1 | 184.1 | 182.1 |



Engine Definitions and Notes

ISO Standard (ISO 3046-1) reference conditions

- 1.0 bar Total barometric pressure at R1
- 25°C Suction air temperature
- 30% Relative humidity
- 25°C Cooling water temperature before engine

Rating points

The engine layout fields for WinGD low-speed engines are defined by the power/speed rating points R1, R2, R3 and R4 (see diagram below).

R1, or instead if applicable, is the nominal maximum continuous rating (MCR).



Any power and speed within the respective engine layout field may be selected as the Contracted-MCR (CMCR) point for an engine.

Dimensions and weights

- All dimensions and weights are not binding. For detailed information and updates, please visit: www.wingd.com/en/engines/engine-types

A Engine length from the coupling flange to the end of the bedplate

A* Engine length from the TC aft end to the end of the bedplate

B Width of the engine seating

C Dist. from the centre of the crankshaft to the underside of the foot flange

D Dist. from the centre of the crankshaft to the highest point of the engine

F1 Min. height for vertical removal of the piston

F2 Min. height for vertical removal of the piston with double-jib crane

F3 Min. height for tilted removal of the piston with double-jib crane

G Distance from the centre of the crankshaft to the lowest point of the engine

- The engine weight is a net value and excludes any liquids.

Fuel/energy consumption

All brake specific fuel consumptions (BSFC) and brake specific pilot fuel consumptions (BSPC) are quoted for fuel of lower calorific value 42.7 MJ/kg.

Brake specific gas consumptions (BSGC) are quoted for gas of lower calorific value 50.0 MJ/kg.

For other fuel types, the following reference lower calorific values are applied:

| | |
|----------|-----------|
| Ammonia | 18.6MJ/kg |
| LPG | 46.0MJ/kg |
| Methanol | 19.9MJ/kg |
| Ethanol | 26.8MJ/kg |

Brake specific energy consumptions (BSEC) for dual-fuel engines are based on energy delivered to the engine as gas and liquid fuel for one kilowatt hour mechanical power output.

For all WinGD low-speed diesel and dual-fuel engines stepwise tolerances have been introduced for the brake specific fuel and energy consumption (BSFC/BSEC) guarantee, referring to ISO standard reference conditions (ISO 15550 and 3046):

- +5% tolerance for 100% to 85% engine power
- +6% tolerance for <85% to 65% engine power
- +7% tolerance for <65% to 50% engine power

The BSFC/BSEC guarantee is possible at up to three power points between 50–100%.

Available engine tunings

Delta Bypass Tuning and Low-load Tuning are available for certain WinGD low-speed diesel engines to provide optimum fuel consumption for different engine loads. Delta Bypass Tuning and Low-load Tuning focuses on reducing fuel consumption in the operating range below 90% or 75% engine power.

The advanced technology of Steam Production Control (SPC) can be added to the Low-load and Delta Bypass Tuning to increase the steam production, while keeping the overall fuel consumption at a minimum.

Dual tuning is available on request and in cooperation with classification societies.

Automated Sequential Turbocharging (aSTC) is available as an option for X82-2.0 and X92-B engines with multi-turbocharger configurations. aSTC significantly reduces the engine's consumption at low loads.



Engine Designation

6X52DF-A-S1.0



Example engine designation 6X52DF-A-S1.0 representing a WinGD 6 cylinder, short-stroke engine for dual-fuel operation with ammonia and diesel.

All data provided in this booklet is for information purposes only, explicitly non-binding and subject to change without notice. The General Technical Data (GTD) program provides up-to-date information on WinGD low-speed engines.

When referring to specific engines, the data may be subject to changes. These will be assessed individually according to the particular characteristic of each project.